

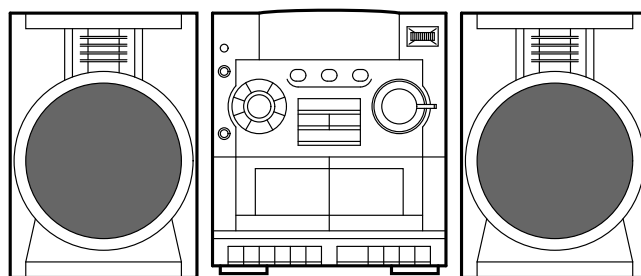


CA-DW235

U

CA-DW245

LH,HA,K,HR



SERVICE MANUAL

CD CARRY COMPONENT SYSTEM

BASIC TAPE MECHANISM : TN-21ZSW-1694
BASIC CD MECHANISM : DA11T3C

- This Service Manual contains information about the difference between the CD MECHANISM "DA11T3C" and "KSM-213 CDM" for the MODEL CA-DW235(U)/245(LH,HA,K,HR).

If requiring other information, see Service Manual of
CA-DW235(U)/245(LH,HA,K), (S/M Code No. 09-995-410-3R1),
CA-DW245(HR)/XG-E15/E16(D), (S/M Code No. 09-998-410-3R2).

aiwa

S/M Code No. 09-011-410-3S3

SUPPLEMENT

DATA

PROTECTION OF EYES FROM LASER BEAM DURING SERVICING

This set employs laser. Therefore, be sure to follow carefully the instructions below when servicing.

WARNING!!

WHEN SERVICING, DO NOT APPROACH THE LASER EXIT WITH THE EYE TOO CLOSELY. IN CASE IT IS NECESSARY TO CONFIRM LASER BEAM EMISSION. BE SURE TO OBSERVE FROM A DISTANCE OF MORE THAN 30cm FROM THE SURFACE OF THE OBJECTIVE LENS ON THE OPTICAL PICK UP BLOCK.



- Caution: Invisible laser radiation when open and interlocks defeated avoid exposure to beam.
- Advarsel: Usynlig laserstråling ved åbning, når sikkerhedsafbrydere er ude af funktion. Undgå udsættelse for stråling.

VAROITUS!

Laiteen Käyttäminen muulla kuin tässä käyttöohjeessa mainitulla tavalla saattaa altistaa käytäjän turvallisuusluokan 1 ylittävälle näkymättömälle lasersäteilylle.

WARNING!

Om apparaten används på annat sätt än vad som specificeras i denna bruksanvisning, kan användaren utsättas för osynlig laserstrålning, som överskrider gränsen för laserklass 1.

Precaution to replace Optical block (SF-P101NR)

Body or clothes electrostatic potential could ruin laser diode in the optical block. Be sure ground body and workbench, and use care the clothes do not touch the diode.

- 1) After the connection, remove solder shown in right figure.

CAUTION

Use of controls or adjustments or performance of procedures other than those specified herein may result in hazardous radiation exposure.

ATTENTION

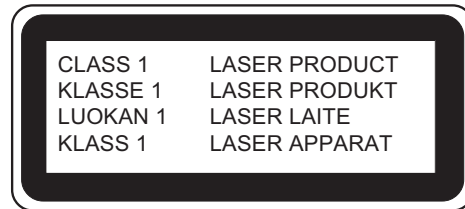
L'utilisation de commandes, réglages ou procédures autres que ceux spécifiés peut entraîner une dangereuse exposition aux radiations.

ADVARSEL

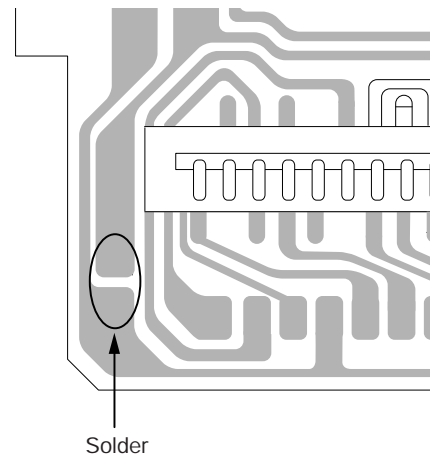
Usynlig laserstråling ved åbning, når sikkerhedsafbrydere er ude af funktion. Undgå udsættelse for stråling.

This Compact Disc player is classified as a CLASS 1 LASER product.

The CLASS 1 LASER PRODUCT label is located on the rear exterior.



CD PICK-UP ASSY. PWB



ELECTRICAL MAIN PARTS LIST

REF. NO.	PART NO.	KANRI NO.	DESCRIPTION
CD MOTOR C.B			
M1	S0-M10-A09-700		MOTOR SLED ASSY
PIN3	S2-369-750-000		PLUG, 6P
SW1	S4-S13-A01-600		SW, LEAF

REF NO.	CD MECHANISIM	
	KSM-213CDM	DA11T3C
C422	2700P	3300P
C423	0.068M	0.047M
C424	0.018M	0.22M
C439	NO MOUNT	1000P
R412	68K	220K
R413	39K	15K
R420	47K	15K
R431	560K	270K
R432	560K	270K
R434	JUMPER	47K
R445	3.9K	18K
R447	10K	15K
R448	56K	NO MOUNT

MECHANICAL PARTS LIST 1 / 1

REF. NO.	PART NO.	KANRI NO.	DESCRIPTION
△ 66	87-A91-369-010		SW,AC SL 2 2 2 SDKGA41700<*EXP U,K>
ADD	8Z-CT9-064-010		PANEL,CD SANYO
ADD	8Z-CT6-214-010		RING,CHUCK
ADD	86-CT9-217-010		HLD, CHUCK A (S)
ADD	87-651-075-210		VT1+2.6-10
ADD	87-751-094-410		VT2+3-6 W/O SLOT
ADD	87-751-095-410		VT2+3-8 W/O SLOT
ADD	87-721-095-410		QT2+3-8 W/O SLOT
ADD	87-751-097-410		VT2+3-12 W/O SLOT
ADD	87-651-100-410		VT1+3-16
ADD	87-651-104-410		VT1+3-30
ADD	87-571-033-410		VIT+2-4
ADD	87-261-072-410		V+2.6-5

* NOTE :<EXP U,K> = <EXCEPT 235U,245K>

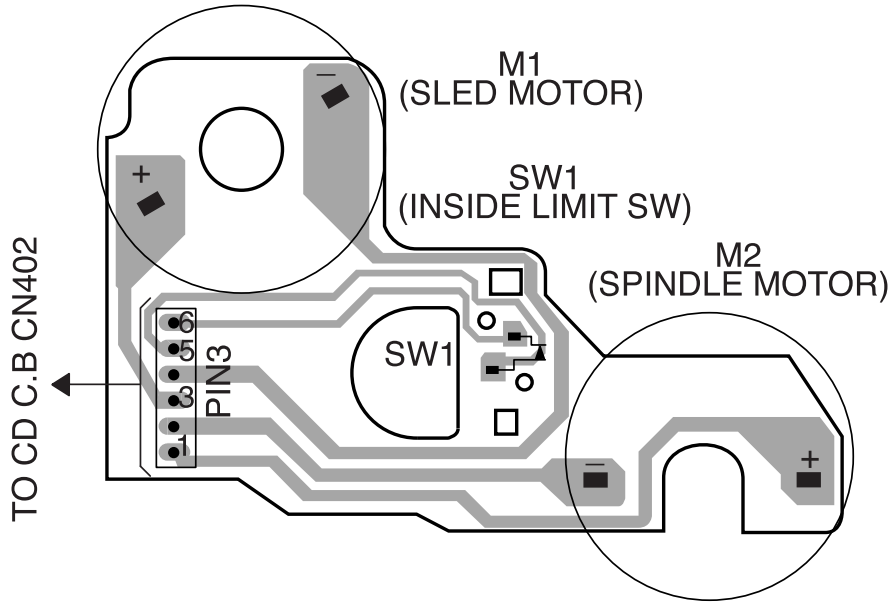
COLOR NAME TABLE

Basic color symbol	Color	Basic color symbol	Color	Basic color symbol	Color
B	Black	C	Cream	D	Orange
G	Green	H	Gray	L	Blue
LT	Transparent Blue	N	Gold	P	Pink
R	Red	S	Silver	ST	Titan Silver
T	Brown	V	Violet	W	White
WT	Transparent White	Y	Yellow	YT	Transparent Yellow
LM	Metallic Blue	LL	Light Blue	GT	Transparent Green
LD	Dark Blue	DT	Transparent Orange	GM	Metallic Green
YM	Metallic Yellow	DM	Metallic Orange	PT	Transparent Pink
LA	Aqua Blue	GL	Light Green		

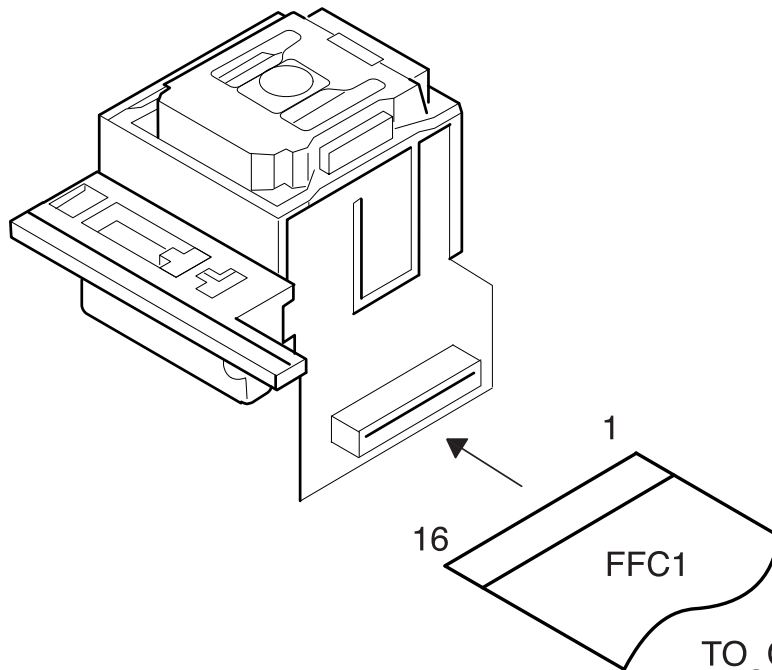
WIRING (CD MOTOR)

15	14	13	12	11	10	9	8	7	6	5	4	3	2	1
----	----	----	----	----	----	---	---	---	---	---	---	---	---	---

E CD MOTOR C.B



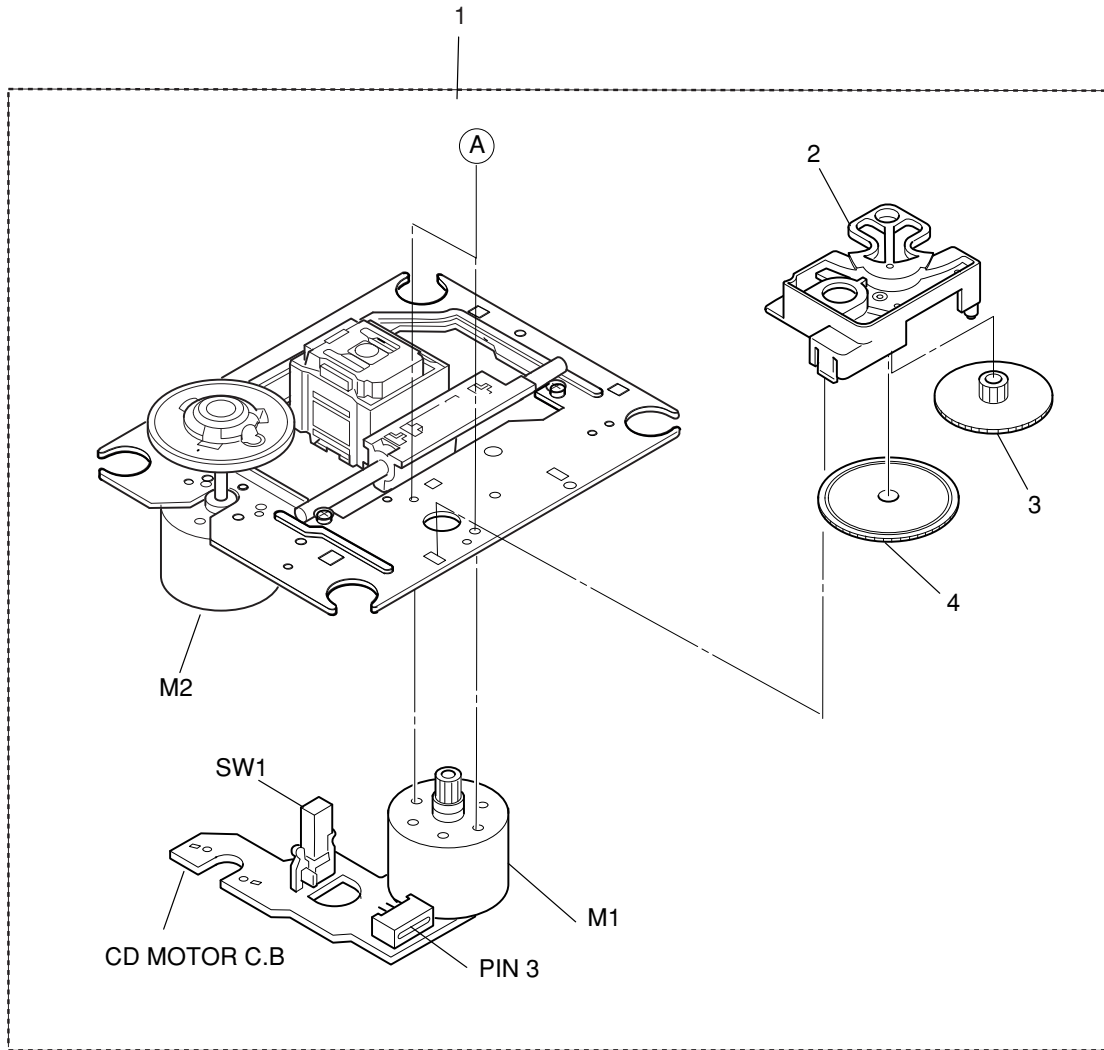
CD PICK UP ASSY
SF-P101NR



TO CD C.B
CN401

A
B
C
D
E
F
G
H
I
J
K
L
M
N
O
P
Q
R
S
T
U

CD MECHANISM EXPLODED VIEW 1 / 1



CD MECHANISM PARTS LIST 1 / 1

REF. NO.	PART NO.	KANRI NO.	DESCRIPTION
1	M8-ZZK-E90-070	DA11T3C	
2	S2-121-A28-400		COVER GEAR
3	S2-511-A21-000		GEAR MIDDLE
4	S2-511-A21-100		GEAR,DRIVE
A	S1-PN2-03R-OSE		SCR PAN PCS 2-3

アイワ株式会社 〒110-8710 東京都台東区池之端1-2-11 ☎03(3827)3111 (代表)
AIWA CO.,LTD. 2-11, IKENOHATA 1-CHOME, TAITO-KU, TOKYO 110, JAPAN TEL:03 (3827) 3111

9620450 0251431

Printed in Singapore